

INTELLICLAMP 3D MULTIFUNCTIONAL CONNECTOR



3D multifunctional connector mounted inside of two units that will align both the units themselves and the two units in X-, Y- and Z-axis in relation to each other. Each half of the 3D-Intelliclamp multifunctional connector stabilize the separate units in 90° angle when mounted in the frame corners, and when connected to each other by tightening the connecting part the separate units are secured and aligned in all three dimensions in relation to each other.

This patent pending solution do not only offer a perfect alignment and connection of your units, but it's also concealed and hidden on the inside creating a fabulous looking set of separate units coming together as one.

VDI
6022

材质

Cover: Zinc die cast and/or glass fibre reinforced Polyamide (PA6GF30)

连接部件: 锌合金, 黑色纹理喷粉或镀锌

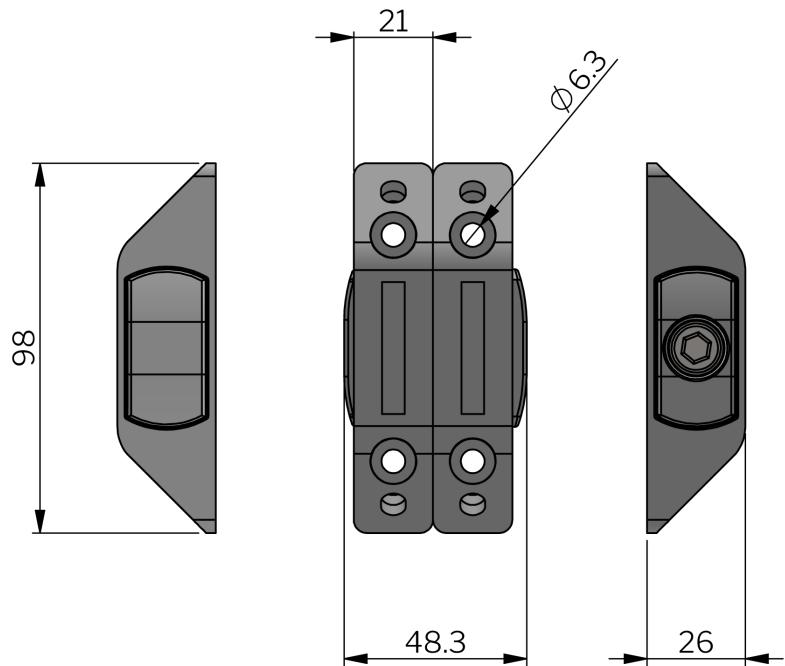
螺母: Zinc die cast, chrome

螺丝: 不锈钢 303

相关产品

类似产品: 5-400, 5-401

索引编号见网站 industrilas.com



P/N

表面处理

271140-01

镀锌

271640-01

黑色纹理喷粉

Industrilas

— When access counts —